



For
Various
Fan Applications

LG FAN BLDC MOTOR FOR HVAC



LG Electronics Component Solutions

4300 North Point Pkwy, Alpharetta, GA 30022

For more information

Visit <https://www.lg.com/global/business/compressor-motor>

E-mail lg.compressors@lge.com

For continual product development, LG reserves the right to change the specifications without notice.
Copyright © 2023 LG Electronics Inc. All Rights Reserved.



Fan BLDC Motor Highlight

Why LG Fan BLDC Motor?

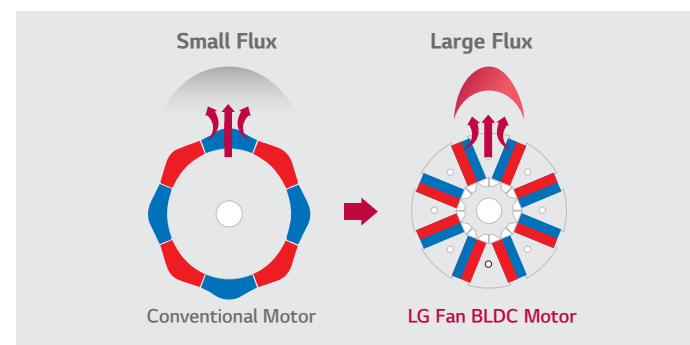
LG Fan BLDC Motor designs maximize their efficiency and torque at the same core size. With its optimal performance and various line-ups, LG Fan BLDC Motors are easy-to-use in any fan application.



Features and Benefits

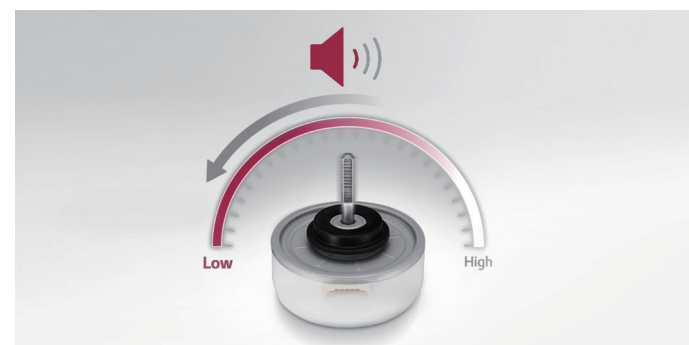
High Performance Design

High efficiency by magnet flux concentration design



Low Noise & Vibration

Reducing noise and vibration by structure molded

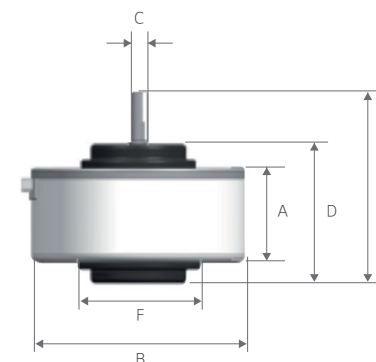


Specification

Model	Application	Output [W]	Voltage [Vdc]	Current [A]	Speed [RPM]	Torque [kgf.cm]	Drive	Pulse	Insulation Class	Remark
ADB0030Y6M	Air Purifier	36.2	310	0.26	1,600	2.20	Built-in (Sensorless)	FG Signal (1Rotation/ 12 pulse)	Class E	
ADB0030Y7M	Fan Coil	32.5	310	0.21	1,700	1.85	Built-in (Sensor)		Class A	UL
ADB0030Y9M	Dish Washer	20.7	310	0.10	3,250	0.62	External		Class E	
ADB0030Y10M	Air Purifier / Air Conditioner	27.3	310	0.19	1,450	1.83	Built-in (Sensorless)		Class E	
ADB0030Y11M	Air Purifier / Air Conditioner	40.2	310	0.24	1,700	2.30	Built-in (Sensor)		Class B	UL
ADB0040Y5M	Air Purifier	40.8	310	0.27	1,190	3.33	Built-in (Sensorless)		Class E	CCC
ADB0040Y10M	Air Purifier	22.1	310	0.19	825	2.61	Built-in (Sensorless)		Class E	
ADB0040Y19M	Air Purifier / Air Conditioner	25.5	310	0.18	1,710	1.45	Built-in (Sensor)		Class E	
ADB0040Y23M	Air Purifier / Air Conditioner	39.9	310	0.31	1,200	3.23	Built-in (Sensor)		Class B	UL
ADB0055Y2M	Air Purifier	51.4	310	0.35	740	6.76	Built-in (Sensorless)		Class E	
ADB0055Y3M	Air Purifier / Air Conditioner	59.8	310	0.34	1,270	4.58	Built-in (Sensorless)		Class E	
ADB0055Y5M	Air Purifier	29.7	310	0.20	1,060	2.72	Built-in (Sensorless)		Class E	
ADB0055Y9M	Air Purifier	39.3	310	0.23	1,190	3.21	Built-in (Sensor)		Class B	UL
ADB0055Y10M	Air Purifier	23.5	310	0.20	990	2.31	Built-in (Sensorless)		Class E	
ADB0055Y11M	Air Purifier / Air Conditioner	57.7	310	0.30	1,220	4.60	Built-in (Sensor)		Class B	UL
ADB0043Y1M	Air Conditioner	43.0	310	0.34	950	4.40	External		Class E	
ADB0124Y2M	Outdoor Unit / Ceiling Cassette	124.1	310	0.62	1,000	12.10	External	Class E		
ADB0070Y1M	Air Conditioner	74.4	310	0.43	1,100	6.60	External	Class E		
ADB0195Y1M	Air Conditioner	138.0	310	0.61	1,040	12.95	External	Class E		

Dimensions

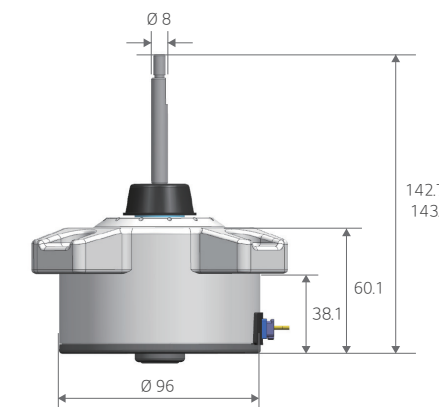
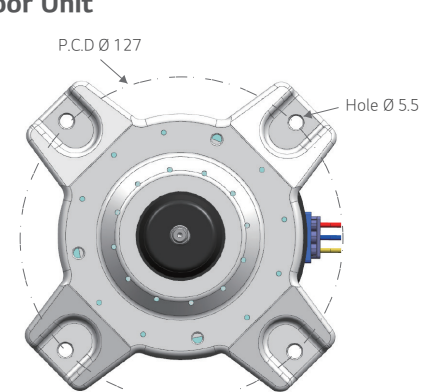
Indoor Unit / Air Purifier / Fan Coil



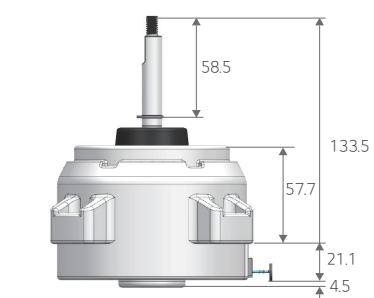
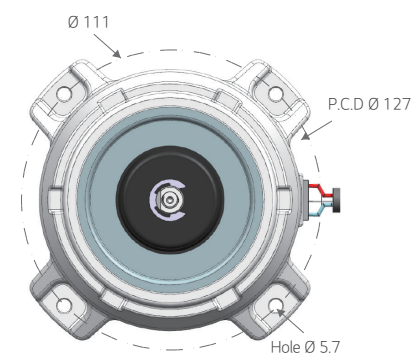
Unit : mm

Models	A	B	C	D	E	F
ADB0030YxM	39.0	Ø 94	Ø 6 / Ø 8	Depend on Customer Application		
ADB0040YxM	41.7	Ø 94	Ø 6 / Ø 8			
ADB0055YxM	51.2	Ø 94	Ø 6 / Ø 8			

Outdoor Unit



Outdoor Unit / Ceiling Cassette



Window

